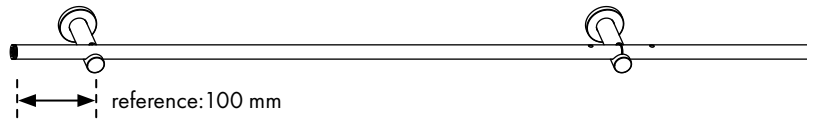
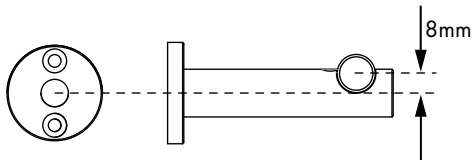


# Installing integral Ø16 open brackets

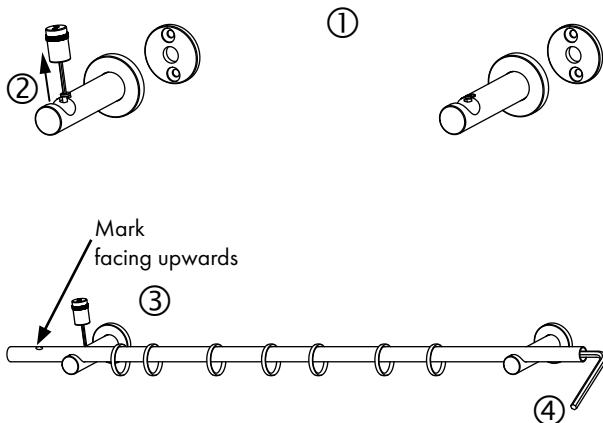
## Dimensions for wall installation



## Installation procedure

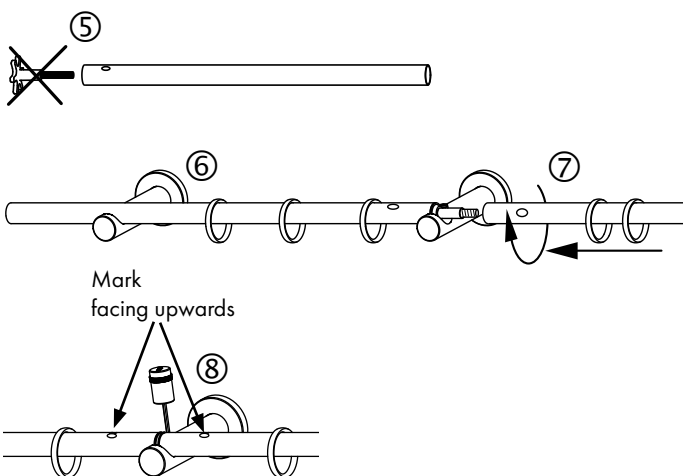
### Without intermediate bracket

1. Attach the brackets to the wall ①
2. Loosen the clamping screws by approx. 2 turns ②
3. Place the pole in the bracket and secure ③ with the mark facing upwards (slide the curtain rings on beforehand)
4. Turn using an Allen key until the pole is straight ④
5. Screw on the finials



### With intermediate bracket

1. Remove the transport lock ⑤
2. Attach all the brackets to the wall ①
3. Loosen the clamping screws by approx. 2 turns ②
4. Place one half of the pole with M6 thread on two brackets and roughly secure ⑥ (slide the curtain rings on beforehand)
5. Screw on the other half of the pole (slide the curtain rings on beforehand) ⑦
6. Adjust the whole length of the pole and secure in the brackets ⑧ (mark facing upwards)
7. Turn on both sides using an Allen key until the entire pole is straight ④
8. Screw on the finials



### With wall socket (only when without intermediate bracket)

Attach the pole end with the mark to the wall socket ⑨

